



**90** cm  
**800** m<sup>3</sup>/h  
**TOUCH CONTROL**  
**LED LIGHTS**  
**A** CLASS

## FEATURES

Size	90 cm
Material	black glass, body and chimney painted black
Controls	backlit touch control
Functions	4 speed with boost, timer, automatic switch off
Extraction	on double curved lines
Duction	120 - 150 mm with check valve
Option	duction or filtered
Grease filter	in aluminium multilayer, washable
Min. Distance from hob	40 cm
Back outlet	available on structure

## PERFORMANCE

Energy class	<b>A</b>
Annual consumption	<b>58 kWh/a</b>
Motor efficiency	<b>A</b>
Adjustable lights	<b>LED 2x3W</b>
Lights efficiency	<b>A</b>
Filters efficiency	<b>C - A*</b>
Noise level at speed 3°	<b>57 dB</b>

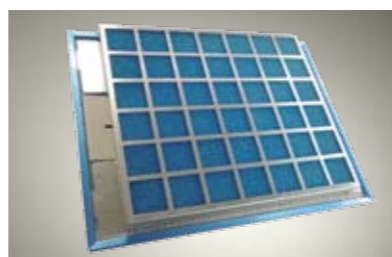
\* with total grease filters



Telescopic chimneys on request



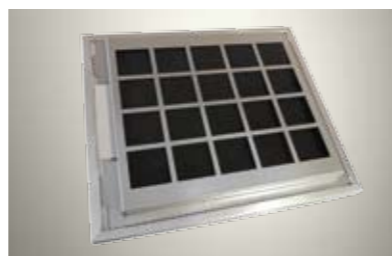
Standard panel with easy lifting



Total grease filter on request



Charcoal filter on request



Hi-Filter on request



Biosky module on request

**Biosky tech**  
Depuration system, that permit to clean the air without any connection to the outside. On request

## Motor 800 - Energy class A

Speed	1°	2°	3°	Int.
Airflow - m3/h Qiec 120 - 150	270	380	480	730
Power - W	130	150	180	235
Max. Pressure - Pa	370	460	530	560
Max Noise - dB*	38	45	57	60

## PRODUCT CODE

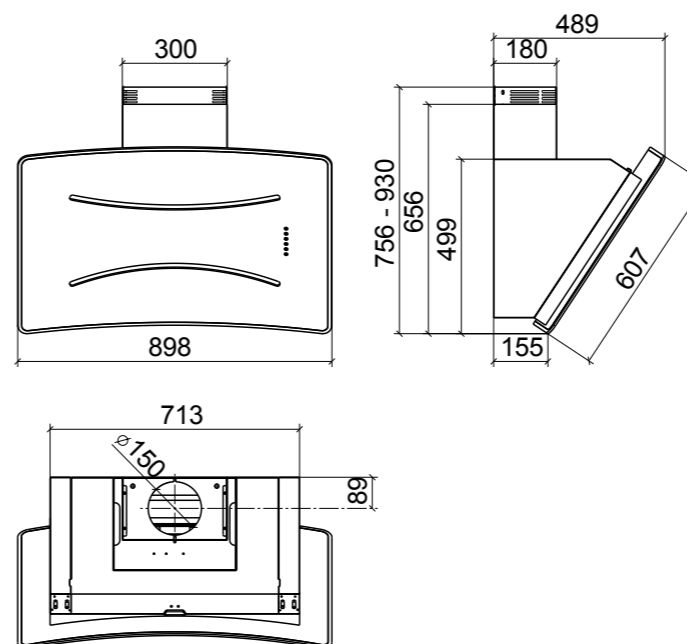
Roxy 90 cm	- 01ROX090BL80
Kit of chimneys	- 01PLZKITCAMBL
Kit Bioskytech module	- 01KITBIOSKYCCAM

## OPTIONAL FILTERS

total grease filter complete	- 02TG345358
charcoal filter	- 02FCCARBGRUP
Hi-Filter with metal frame	- 02HF345358

## BOX SIZE

dimension W - D - H	62x94x61 cm
weight	35 Kg



## Optional

### Exclusive Bluetooth remote control



It allows advanced features and control of the cooker hood also through an app. on your smartphone.

## CONTROLS

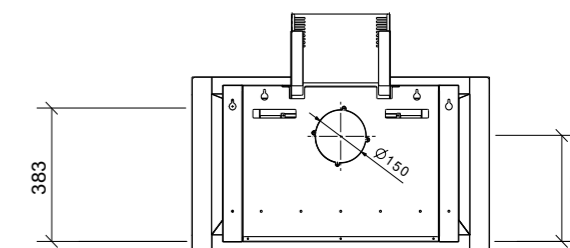
- Touch Control
- Backlite icons
- 3 speed + boost
- Timer
- Automatic switch-off
- Indication cleaning and filter replacement



Touch control



Spot LED  
Adjustable lights at 4000 K natural white



back outlet