



# Lumina

60-90  
cm



CLASS  
**A**

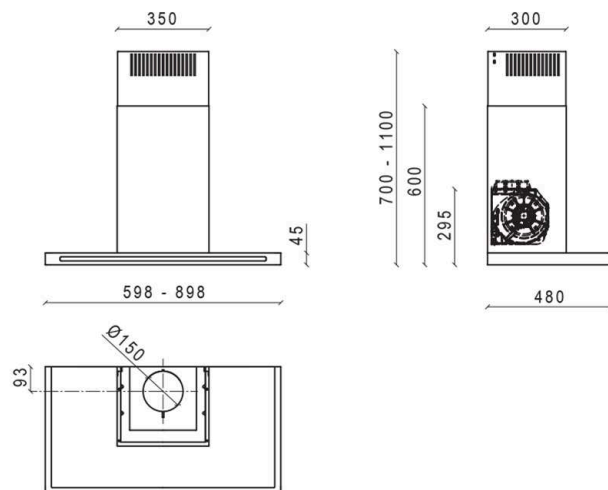
ANNUAL ENERGY  
58 kWh

FINO A - UP TO  
900 m<sup>3</sup>/h

MAX PRESSURE  
590 Pa

## CARATTERISTICHE - FEATURES

<b>Misura - Size</b>	60 - 90 cm
<b>Materiale - Material</b>	Struttura e camini inox satinati, vetro frontale nero o bianco body and chimneys in Scotch brite St/steel, black or white frontal glass
<b>Controlli - Controls</b>	pulsantiera elettronica retroilluminata backlit electronic control
<b>Funzioni - Functions</b>	4 velocità con intensiva, timer, spegnimento automatico, ind.pulizia/sost. filtri 4 speed with boost, timer, automatic switch off, filter cleaning and replacement indicator
<b>Luci Lights</b>	LED 1x7W LED 1x7W
<b>Aspirazione Extraction</b>	sul piano orizzontale on the horizontal plane
<b>Uscita aria - Duction</b>	120 - 150 mm con valvola di non ritorno 120 - 150 with check valve
<b>Tipo d'uso - Type</b>	filtrante o aspirante Extractor or filter
<b>Filtro antigrasso Grease filter</b>	In alluminio multistrato lavabile Aluminium multilayer, washable
<b>Minima distanza Min. Distance from hob</b>	65 cm



## FILTRI OPTIONAL - OPTIONAL FILTERS

<b>Total grease filter filtro aggiuntivo antigrassi 95% (A*)</b>	02TG268366 (60 cm)
<b>Total Grease filter additional grease filter 95% (A*)</b>	02TG279366 (90 cm)
<b>Filtro antiodori Charcoal filter</b>	02FCCARBGRUP
<b>Hi-Filter filtro antiodore di lunga durata, lavabile e rigenerabile</b>	02HF268366 (60 cm)
<b>Hi-Filter long-lasting, washable and regenerable odor filter</b>	02HF279366 (90 cm)

**DIMENSIONI SCATOLA - BOX SIZE** 66x54x64 cm - 18 Kg - 98x51x65 cm - 26 Kg

## VERSIONI - VERSION

cm. 60 - Inox, vetro nero o bianco - St/Steel, black or white glass - 700m<sup>3</sup>/h - 01LUM060STB70

cm. 60 - Inox, vetro nero o bianco - St/Steel, black or white glass - 900m<sup>3</sup>/h - 01LUM060STB90

cm. 90 - Inox, vetro nero o bianco - St/Steel, black or white glass - 800m<sup>3</sup>/h - 01LUM090STB80

cm. 60 - Inox, vetro nero o bianco - St/Steel, black or white glass - 800m<sup>3</sup>/h - 01LUM060STB80

cm. 90 - Inox, vetro nero o bianco - St/Steel, black or white glass - 700m<sup>3</sup>/h - 01LUM090STB70

cm. 90 - Inox, vetro nero o bianco - St/Steel, black or white glass - 900m<sup>3</sup>/h - 01LUM090STB90