



Free App at

Download on the
App Store

ANDROID APP ON
Google play

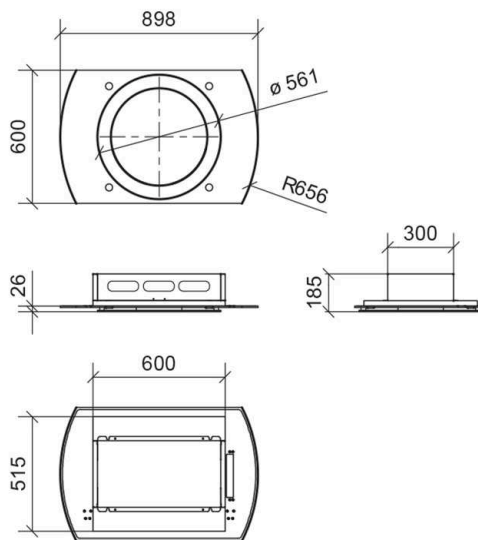
Nima free



CLASS A	ANNUAL ENERGY 58 kWh
FINO A - UP TO 1300 m ³ /h	MAX PRESSURE 430 Pa

CARATTERISTICHE - FEATURES

Misura - Size	90 x 60 cm
Materiale - Material	piano bianco o nero, anello inox e struttura verniciata white or black plan, ring in scotch brite St/steel and body painted
Controlli - Controls	telecomando touch ricaricabile e app per smartphone touch rechargeable remote control or app for smartphone
Funzioni - Functions	4 velocità con intensiva, timer, spegnimento automatico, funzione 24h 4 speed with boost, timer, automatic switch off, 24h function
Luci Lights	LED 4x1W LED 4x1W
Aspirazione Extraction	perimetrale con pannello apribile perimetral with openable panel
Uscita aria - Duction	sui lati della struttura on the sides of the body
Tipo d'uso - Type	filtrante filtered
Filtro antigrasso Grease filter	In alluminio multistrato lavabile Aluminium multilayer, washable
Filtro antiodori Charcoal filters	hi-filter agganciato ai filtri in alluminio hi-filter coupLED to the aluminium filters
Minima distanza Min. Distance from hob	100 cm



VERSIONI - VERSION

cm. 90x60 – struttura bianca, inox – white structure, St/steel – 900m³/h
01NIMFR090STW90

cm. 90x60 – struttura bianca, inox – white structure, St/steel – 1300m³/h
1NIMFR090STW13

cm. 90x60 – struttura nera, inox – black structure, St/steel – 900m³/h
01NIMFR090STB90

cm. 90x60 – struttura nera, inox – black structure, St/steel – 1300m³/h
1NIMFR090STB13

DIMENSIONI SCATOLA - BOX SIZE 95x65x23 cm - 40 Kg