



## Stivia isola



CLASS

**A**

ANNUAL ENERGY

58 kWh

FINO A - UP TO

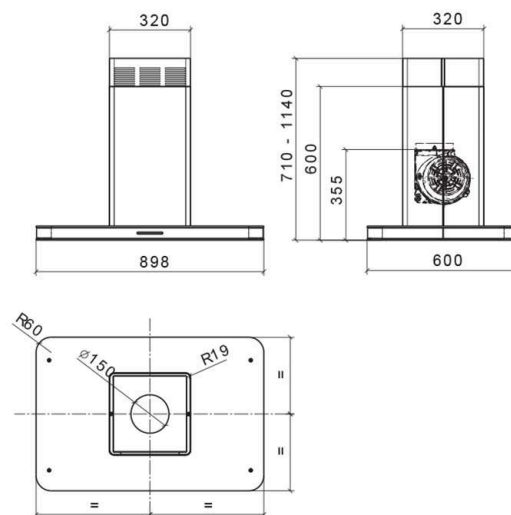
1300 m<sup>3</sup>/h

MAX PRESSURE

430 Pa

### CARATTERISTICHE - FEATURES

<b>Misura - Size</b>	90 x 60 cm
<b>Materiale - Material</b>	Vetro nero, frontale e camini inox satinati black glass, frontal and chimneys in Scotch brite St/steel
<b>Controlli - Controls</b>	pulsantiera elettronica retroilluminata backlit electronic control
<b>Funzioni - Functions</b>	4 velocità con intensiva, timer, spegnimento automatico, ind.pulizia/sost. filtri 4 speed with boost, timer, automatic switch off, filter cleaning and replacement indicator
<b>Luci Lights</b>	LED 2x7W LED 2x7W
<b>Aspirazione Extraction</b>	perimetrale con pannello apribile perimetral with openable panel
<b>Uscita aria - Duction</b>	120 - 150 mm con valvola di non ritorno 120 - 150 with check valve
<b>Tipo d'uso - Type</b>	filtrante o aspirante Extractor or filter
<b>Filtro antigrasso Grease filter</b>	In alluminio multistrato lavabile Aluminium multilayer, washable
<b>Minima distanza Min. Distance from hob</b>	65 cm



**DIMENSIONI SCATOLA - BOX SIZE** 95 x 61 x 62 cm - 45 Kg

### FILTRI OPTIONAL - OPTIONAL FILTERS

Total grease filter filtro aggiuntivo antigrassi 95% (A*)	02TG230259
Total Grease filter additional grease filter 95% (A*)	
Filtro antiodori Charcoal filter	02FCT230259
Hi-Filter filtro antiodore di lunga durata, lavabile e rigenerabile Hi-Filter long-lasting, washable and regenerable odor filter	02HF230259

### VERSIONI - VERSION

cm. 90x60 – inox, vetro nero – St/steel, black glass – 700m<sup>3</sup>/h  
01STVIS090STB70

cm. 90x60 – inox, vetro nero – St/steel, black glass – 800m<sup>3</sup>/h  
01STVIS090STB80

cm. 90x60 – inox, vetro nero – St/steel, black glass – 900m<sup>3</sup>/h  
01STVIS090STB90